

Purple Martin Nest Box Plans

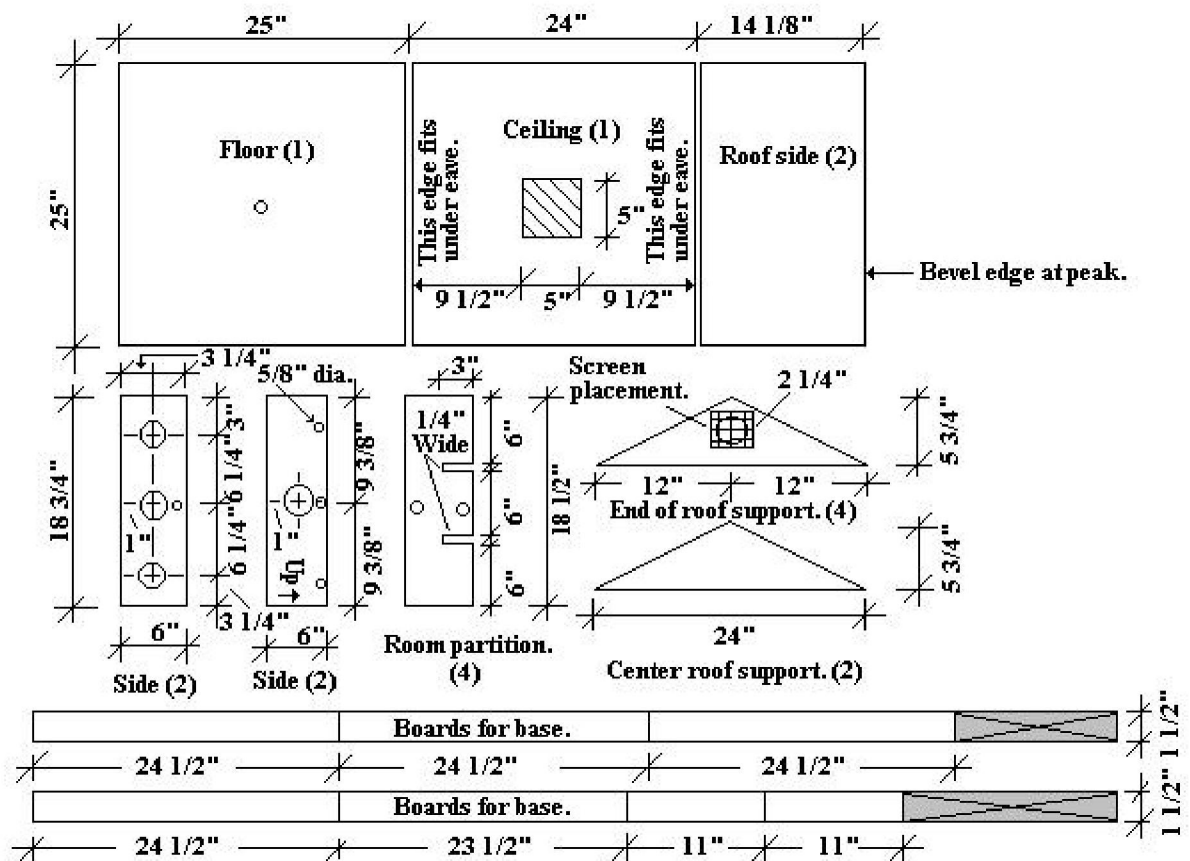
Attracting this insect eating bird is one of the biggest challenges for any backyard bird enthusiast. As the first martins arrive in mid-April, remove the entrance covers to the house which kept out starlings and sparrows during the winter. Ensure that your house is in an open area at least 30 feet away from trees and open on all sides. Martin houses should be at least 8 feet above the ground and painted white to reflect the sun. Houses need to be cleaned out after each season. House sparrows must be controlled if you are to be successful since the house sparrow is the martin's worst enemy.



Materials:

- 4' x 8' x 1/4" plywood
- 2" x 2" x 6" for chimney
- 1" x 2" x 14' for base
- 1" x 1" x 8' for corner blocks
- 4" x 8" metal window screen
- 4" x 4" x 14' cedar post

Place 1/2" dowel railing around balcony to keep young from falling.

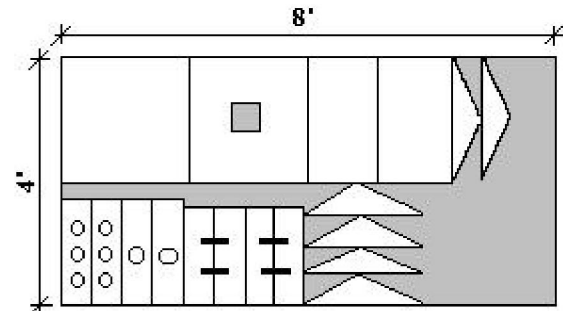


CONSTRUCTION

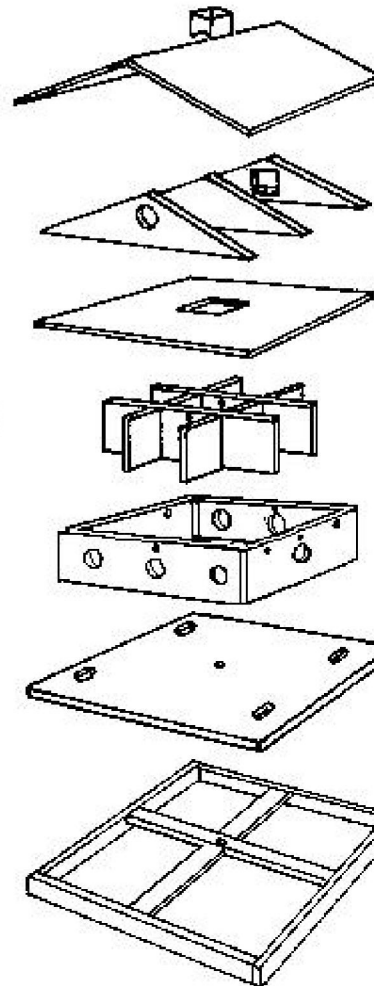
Note: This unit is held together by a threaded rod extending from the underside of the 1" x 2" base frame through the center of the chimney.

1. Mark all pieces on plywood sheet, then cut them out. Make four 1" x 1" x 5 7/8" corner blocks and eight 1" x 1" x 2" blocks to position the parts.
2. Cut out and assemble base from 1" x 2". Use 7d galvanized siding nails. Attach floor piece to base with glue and 1" or 1 1/4" nails.
3. Assemble the sides, alternating three hole and one hole pieces. Use glue and 1" nails or 3/4" #6 flat head wood screws. Use three at each end of each piece.
4. Position first-story sides on base piece. Mark position for each 1" x 1" x 2" block to hold side in position. Attach blocks to floor with glue and two 1" nails or 3/4" #6 flat head wood screws. Place completed sides in position on floor. Insert partitions. Position ceiling and mark for the location of 1" x 1" x 2" blocks near corners on the underside. Attach the blocks.
5. Place ceiling in position.
6. Glue pairs of end roof supports together to form gable ends 1/2" thick. Attach screen. Position and mark. Glue the two center roof supports together to make it 1/2" thick. It will be positioned adjacent to the threaded rod going up through the exact center of the house. Attach these pieces to the ceiling with glue and nails or flat head wood screws from the underside. Attach roof sides with glue and nails or screws.
7. Make chimney from a piece of 2x2. Cut V-notch on end to fit roof. Have it extend 2 1/2" above roof peak. Drill 1/4" hole in chimney and roof for rod. Nail chimney in place. Insert rod and tighten up.
8. Drill hole in top of pole to accommodate nut on lower end of threaded rod.
9. Use 1/2" diameter maple dowels to make a fence about 2" high on each balcony. Pieces of wood 1" x 1" x 3" may be used as the corner posts of this railing.

This pattern shows how to cut out a martin house from one sheet of plywood.



Layout pattern.



Expanded view of martin house. A threaded rod inserts through the base and up through the chimney.

Entrance hole diameter: 2 1/4"

Locate 5/8" ventilation holes 1" below top edge of sides.

*For sides, measurement from floor to center of entrance holes = 2 1/8"